

PLEASE CHECK WWW.MOLEX.COM FOR LATEST PART INFORMATION

Part Number: [0357110710](#)
Status: **Active**
Description: 2.79mm (.110") Slip-On Receptacle Terminal, Quick Disconnect, 0.50mm (.020") Tab Thickness, Wire Range 16-20 AWG (1.31-0.52mm²), Post-Tin Plated

Documents:

[Drawing \(PDF\)](#) [Product Specification PS-68428-001 \(PDF\)](#)
[Product Specification PS-35544-001 \(PDF\)](#) [RoHS Certificate of Compliance \(PDF\)](#)
[Product Specification PS-35702-001 \(PDF\)](#)

Agency Certification

UL E92853

General

Product Family Quick Disconnects
 Series [35711](#)
 Crimp Quality Equipment Yes
 Product Name Slip-On
 Type Quick Disconnect

Physical

Barrel Type Open
 Gender Female
 Glow-Wire Compliant No
 Insulation None
 Lock to Mating Part None
 Material - Metal Brass
 Material - Plating Mating Tin
 Material - Plating Termination Tin
 Orientation Straight
 Packaging Type Reel
 Plating min: Mating (µin) 40
 Plating min: Mating (µm) 1
 Plating min: Termination (µin) 40
 Plating min: Termination (µm) 1
 Polarized to Mating Part No
 Tab Thickness 0.51mm (.020")
 Tab Width 2.79mm (.110")
 Temperature Range - Operating -40°C to +120°C
 Termination Interface: Style Crimp or Compression
 Wire Insulation Diameter 2.80mm (.110") max.
 Wire Size AWG 16, 18, 20
 Wire Size mm² 0.50 - 1.30

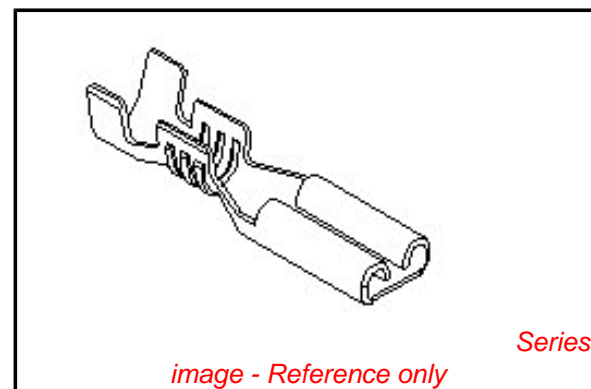
Electrical

Voltage - Maximum Per Wire Specification

Material Info

Reference - Drawing Numbers

Product Specification PS-35544-001, PS-35702-001, PS-68428-001
 Sales Drawing SD-35711-07*0



EU RoHS

ELV and RoHS Compliant
REACH SVHC Contains SVHC: No
Halogen-Free Status

China RoHS



Need more information on product environmental compliance?

Email productcompliance@molex.com
 For a multiple part number RoHS Certificate of Compliance, [click here](#)

Please visit the [Contact Us](#) section for any non-product compliance questions.

Search Parts in this Series

[35711Series](#)

Application Tooling | [FAQ](#)

Tooling specifications and manuals are found by selecting the products below. Crimp Height Specifications are then contained in the Application Tooling Specification document.

Global

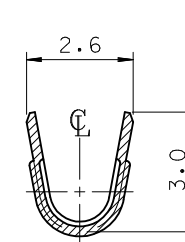
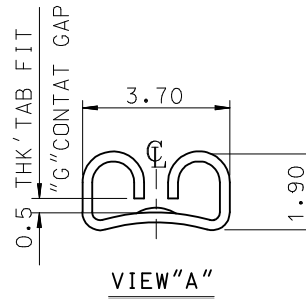
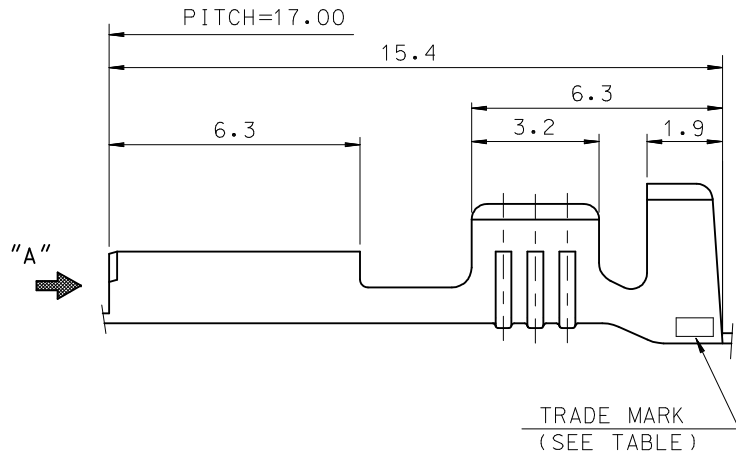
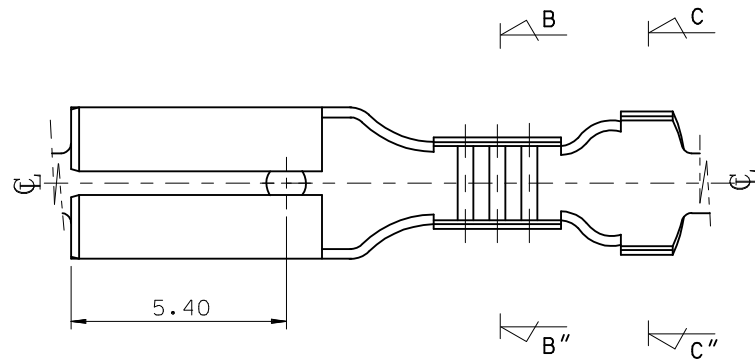
Description	Product #
Mini-Mac™	0638018000
Applicator Rear Feed	

NOTES.

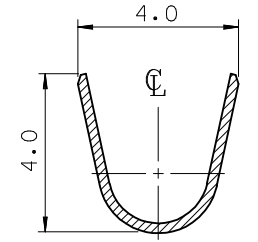
- MATERIAL : BRASS
- FINISHES : SEE TABLE 1
0.8~1.8 μm TIN PLATING
OVERALL 0.3~0.8μm COPPER PLATING
- PRODUCT SPECIFICATIONS : PS-35544-001
PS-35702-001
PS-68428-001
- MATES WITH : 0.5t TAB
- APPLICABLE WIRE RANGE : AWG #20~#16

MATERIAL NO.	PART NO.	FINISH	TRADE MARK
357110700	35711-0700	UNPLATED	MK2
357110710	35711-0710	⊙ PRE-TIN PLATED	
357110701	35711-0701	UNPLATED	L MK1
357110711	35711-0711	⊙ PRE-TIN PLATED	

<TABLE 1>



SECTION B-B



SECTION C-C

PART NO.	"G" CONTACT GAP
35711-0700	0.3 - 0.4
35711-0710	0.3 - 0.4
35711-0701	0.42 - 0.47
35711-0711	0.42 - 0.47

<TABLE 2>

REVISED EC NO: KOR2009-0111 DRWN: JHPARK01 2009/01/30 CHKD: WY. YANG 2009/01/30 APPR: YUNSIKIM 2009/01/30	QUALITY SYMBOLS ▽=0 □=0	GENERAL TOLERANCES (UNLESS SPECIFIED)		DIMENSION STYLE MM ONLY		SCALE 8:1	DESIGN UNITS METRIC	THIRD ANGLE PROJECTION	
		4 PLACES ± --- ± --- 3 PLACES ± --- ± --- 2 PLACES ± --- ± --- 1 PLACE ± 0.30 ± ---	mm INCH	DRAWN BY WY. YANG	DATE 1993/04/15	TITLE .110 SLIP-ON RECEPTACLE			
		ANGULAR ± ---°		CHECKED BY BK. CHOI	DATE 1993/04/15	APPROVED BY CW. LEE			
		DRAFT WHERE APPLICABLE MUST REMAIN WITHIN DIMENSIONS		SEE TABLE		MATERIAL NO. SD-35711-07*0		DOCUMENT NO.	